

MCG3 series Lift / Turntable

TRIPLE-GUIDE CYLINDER



Features:

- Three guide rods equally spaced in the aluminum body provide more space saving and eliminate the directionality of the unbalanced load.
- Conveyor line's productivity increases.
- By connecting with the Rotary actuator, can be used as a Automatic turn lifter.

Specification:

Model	MCG3	
Model (Stop type view)	 (Lift type) (Turntable type)	
Acting type	Double acting	
Tube I.D.(mm)	63	80
Port size Rc(PT)	1/4	3/8
Standard stroke	30, 50, 75, 100 mm	
Medium	Air	
Operating pressure range	1~9.9 kgf/cm ²	
Proof pressure	15 kgf/cm ²	
Ambient temperature	-5~+60°C (No freezing)	
Lubrication	Not required	
Cushion	With rubber cushion pad	
Sensor switch	RCB,RCE,RCE1	

Order example:

MCG3 — 63 — 50 — D — BSP

MODEL

STROKE*

TUBE I.D.

63
80: only for life type

APPLICATION / TYPE OF BEARING

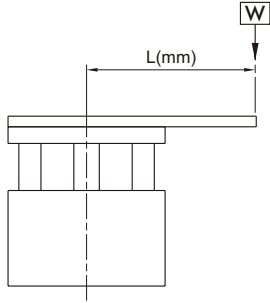
Code	Purpose / Type of bearing
D	Circle table lift / Slide bearing
B	Circle table lift / Linear bush bearing
D90	Turntable / Angle 90° / Slide bearing
B90	Turntable / Angle 90° / Linear bush bearing
D180	Turntable / Angle 180° / Slide bearing
B180	Turntable / Angle 180° / Linear bush bearing
QD	Quad table lift / Slide bearing
QB	Quad table lift / Linear bush bearing

PORT THREAD
Blank: PT thread
BSP: BSP thread
NPT: NPT thread

*Stroke out of specification is also available.

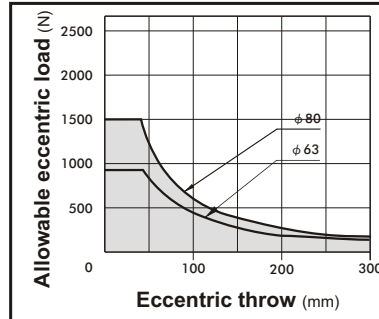
Allowable eccentric load :

(at supply pressure 0.5MPa)

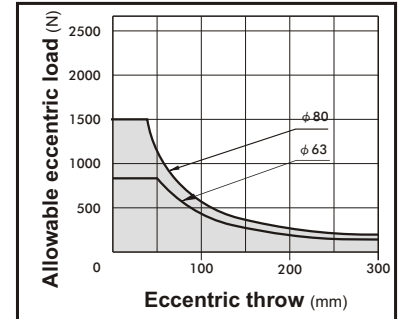


Shows the dynamic allowable value at L(mm) eccentricity from the center of the guide rod.

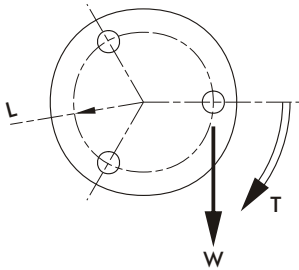
MCG3-D/D90/D180



MCG3-B/B90/B180



Allowable rotating torque :

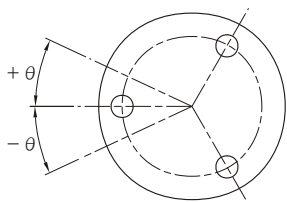


Shows the dynamic allowable value, when actuating the cylinder with a rotating torque T at the guide rods' top.

Tube I.D.	Bearing type	Stroke (mm)		
		30	50	100
φ 63	Slide bearing	13.2	12.7	7.6
	Linear bush bearing	13.5	12.7	8.8

(N.m)

Anti-roll accuracy :



The values are the deflection angle against the piston rod.

Tube I.D.	Bearing type	Anti-roll accuracy
		θ
φ 63	Slide bearing	±0.07°
	Linear bush bearing	±0.03°

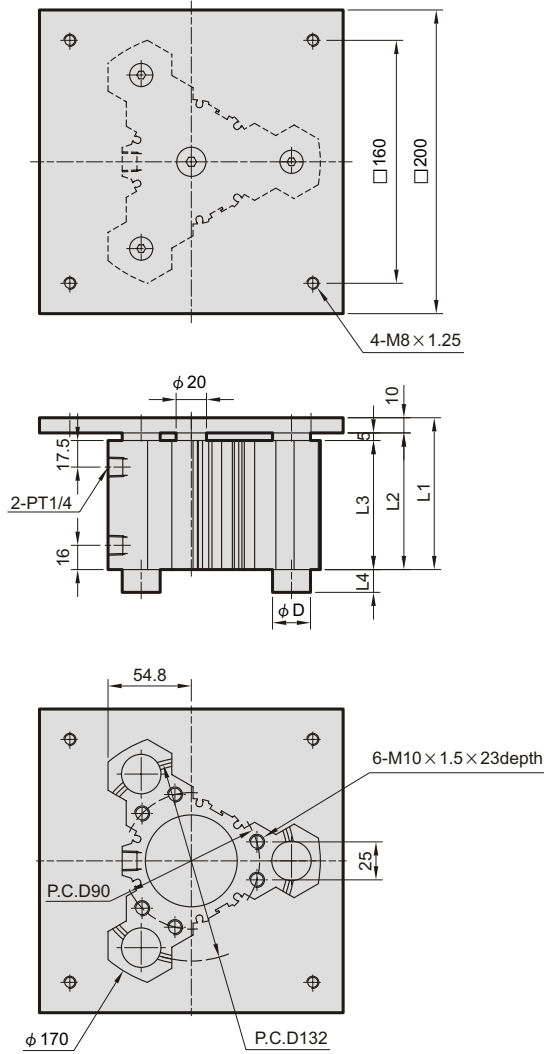
MCG3 Lift / Installation of sensor switch

TRIPLE-GUIDE CYLINDER

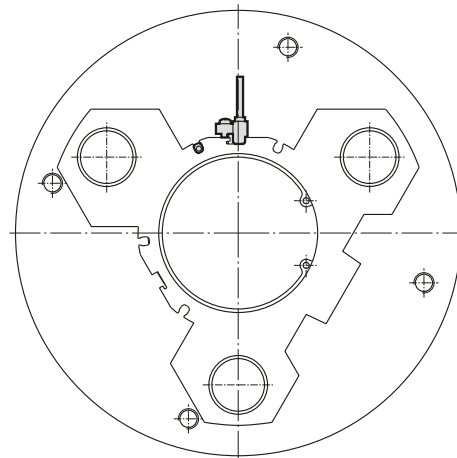
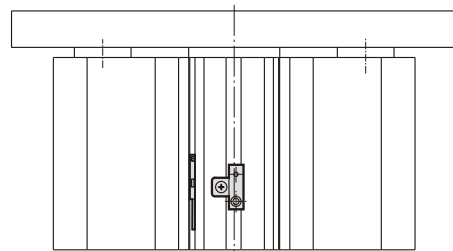
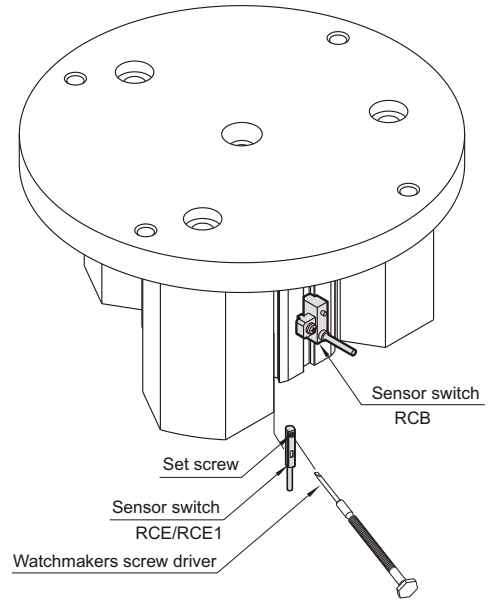


MCG3-QD/QB

(Life type)



Installation of sensor switch



MCG3-QD/QB

Tube I.D.	Stroke (mm)	L1	L2	L3
63	30	100	90	85
	50	120	110	105
	75	145	135	130
	100	170	160	155
Tube I.D.	L4		φ D	
	MCG3-QD	MCG3-QB	MCG3-QD	MCG3-QB
63	0	26	φ 25	φ 16